

# G18MFS 안개등, 골드윙 2020 이후 모델 장착시 필요사항

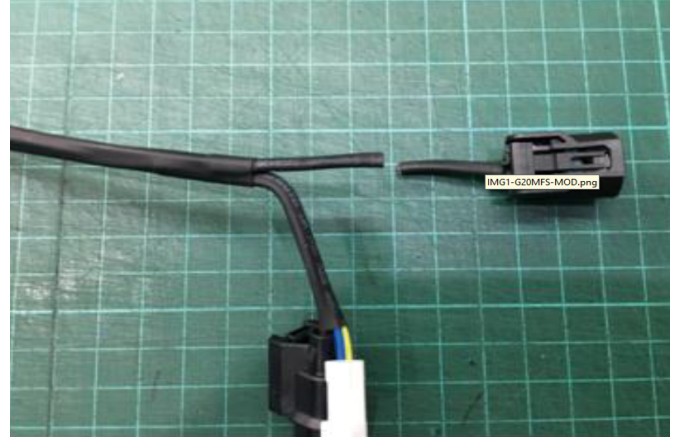


2020 Gold Wing에서 키트가 작동하려면 하위 하네스 케이블을 수정하거나 교체해야 합니다.

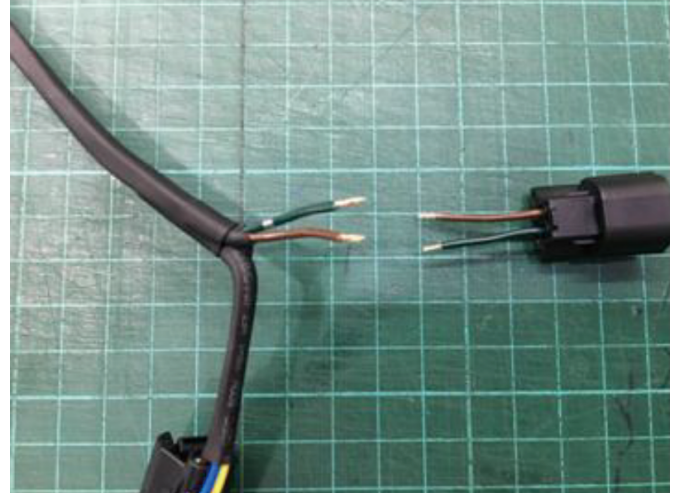
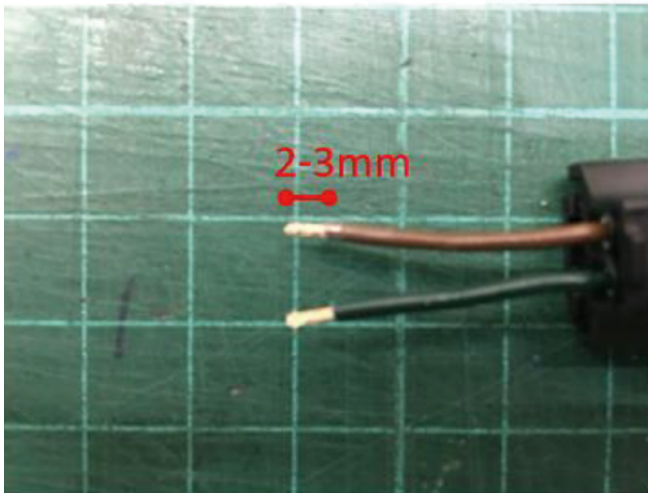
이는 Honda에서 2020년 모델의 안개등 커넥터 배선을 반전했기 때문입니다. 아래 두 가지 해결 방법을 제공합니다.

.....

## ■ 방법 1 : 커넥터 배선을 커팅 후 반대로 연결하는 방법



전원이 들어오는 배선의 중앙부를 절단합니다. 피복을 벗기면 녹색과 갈색 배선을 확인 할 수 있습니다.



절단한 배선을 반전하여 "녹-갈 / 갈-녹"으로 연결합니다. 연결 작업 시 누전되지 않도록 절연 테이프 또는 수축 튜브를 이용합니다.

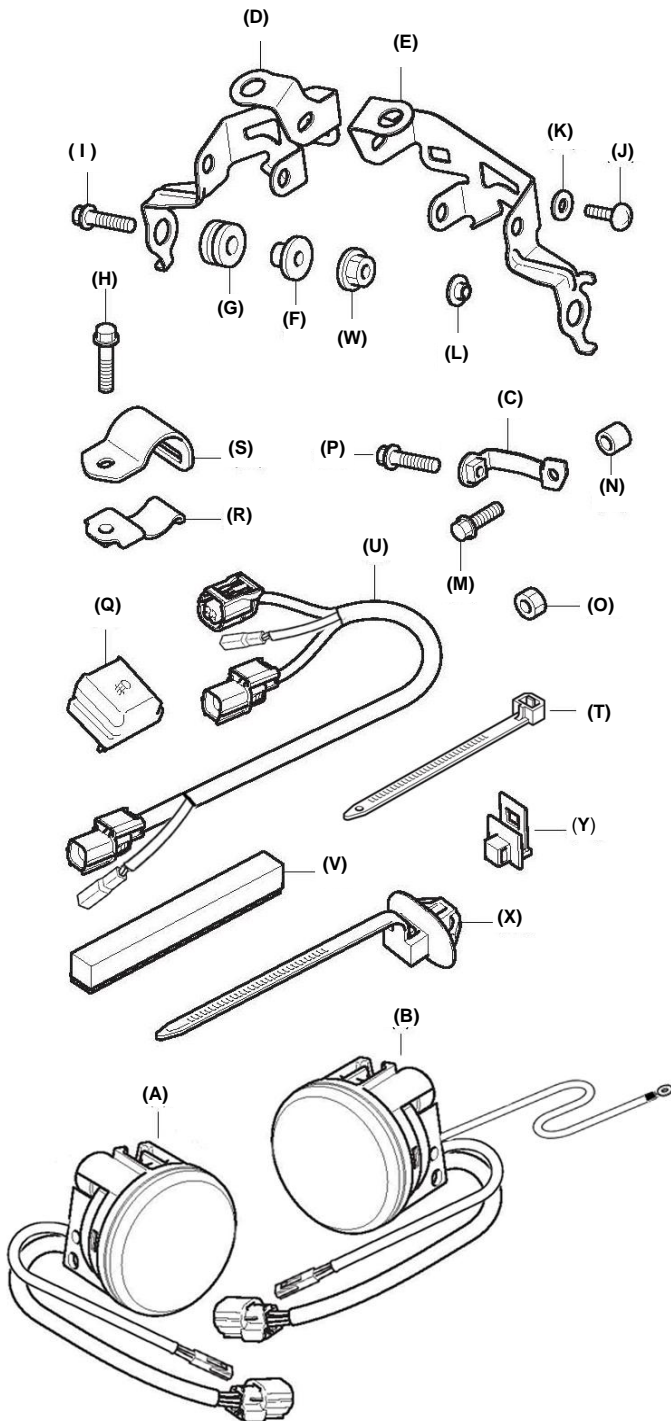
## ■ 방법 2 : 별도의 추가배선 구매 후 장착 (별매 배선 모델명 G20MFS-AC)



G20MFS-AC 배선 이용시 별도의 가공이 필요 없습니다.



<b>INSTALLATION GUIDE</b>	ITEM / DESCRIPTION	PART NO.	MODEL
	<b>PATHFINDERLED® MULTI-FUNCTION LED FOG LIGHT</b>	<b>G18MFS</b>	<b>GL1800 / 2018+</b>

## LIST OF HARDWARE



	Description	Qty
A	RIGHT LED Fog Light	1
B	LEFT LED Fog Light	1
C	Fog Light Adjuster	2
D	RIGHT Stay	1
E	LEFT Stay	1
F	Large - Flange Collar	4
G	Grommet	4
H	M6 x 25mm Flange Bolt	2
I	M6 x 20mm Flange Bolt	2
J	M6 x 8mm Screw	4
K	Washer	4
L	Small - Flange Collar	4
M	M6 x 16mm Flange Bolt	2
N	Spacer	2
O	6mm Nut	2
P	M6 x 12mm Flange Bolt	2
Q	Fog Light Switch	1
R	Pipe Band [A]	2
S	Pipe Band [B]	2
T	Wire Tie	7
U	Sub Harness	1
V	Cushion	2
W	6mm Flange Nut	2
X	Clip	2
Y	Holder Clip	2
-	Installation Guide (Please keep for future reference)	1

**INSTALLATION NOTE: INSTALL TIME ESTIMATED 2-3 HOURS**

- ▶ This product is recommended to be installed professionally.
- ▶ **Prior to installation, review our installation video:** [socialmotogear.com/g18mfsvideo](http://socialmotogear.com/g18mfsvideo) 
- ▶ **This Installation Guide is provided online:** [socialmotogear.com/g18mfsmanual](http://socialmotogear.com/g18mfsmanual) 
- ▶ Set aside all screws & parts in an organized manner so that you can re-assemble all parts removed.

**INSTALLATION PREP:**

**Prior to start, review entire guide.**

- Allow motorcycle (engine, radiator, exhaust, etc.) to cool down before performing any installation.
- Place motorcycle on the center stand.
- Disconnect the negative cable from the battery.  
Be aware that the memory, including clock and radio, will be lost when you disconnect the negative (-) cable.
- ▶ Reset the clock and radio settings after reconnecting the battery.

**TOOLS & SUPPLIES RECOMMENDED BUT NOT LIMITED TO:**

- |                        |                            |
|------------------------|----------------------------|
| • Phillips Screwdriver | • File                     |
| • Ratchet              | • Ruler                    |
| • Socket               | • Marker                   |
| • Torque Wrench        | • Masking Tape             |
| • Snips                | • Shop Towel(s)            |
|                        | • Isopropyl Alcohol Bottle |

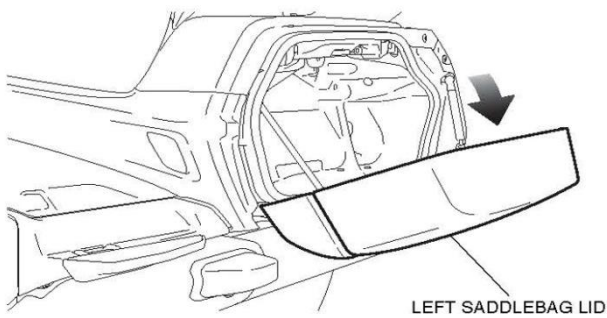
✓ **Always check your lights before riding. Obey all Federal, State & local laws before operating this product. LED strobe/modulating feature is intended for show or parade purposes only. It is the rider's responsibility to use good judgment when operating these lights.**

**DOT COMPLIANT:**

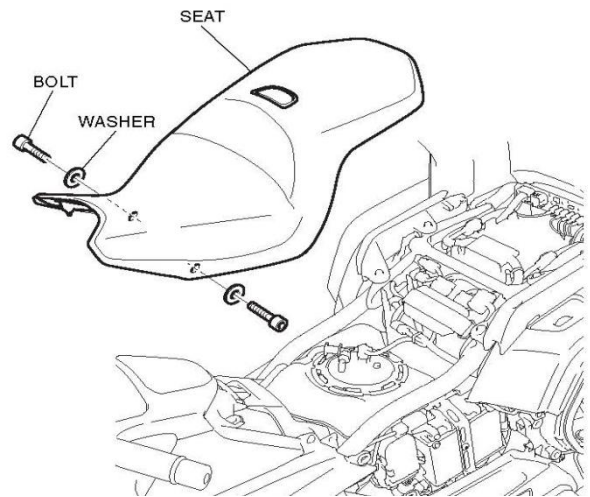
The DOT Compliant refers to the design of the light source projecting light behind our projector lens. This produces a clean beam pattern, unlike scattered lighting similar to some products we have tested in the past.

1. Open the LEFT saddlebag lid.
  - Then repeat on the RIGHT side.

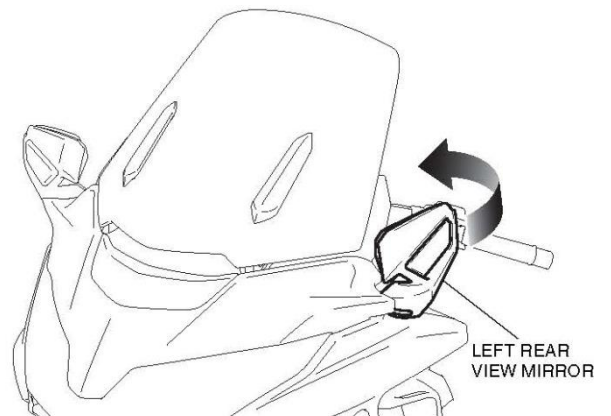
[LEFT side]



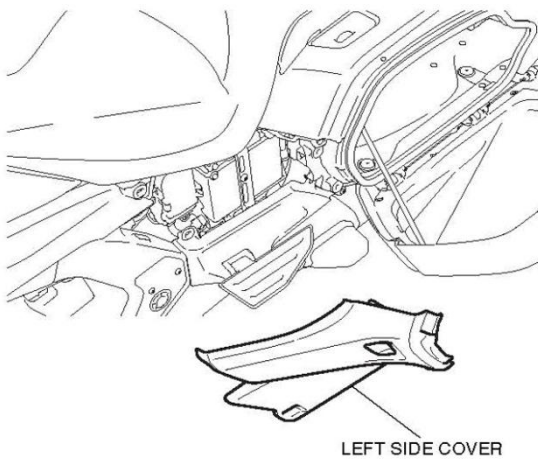
4. Remove the seat as shown below.
  - Disconnect the connector for GL1800/D/DA.



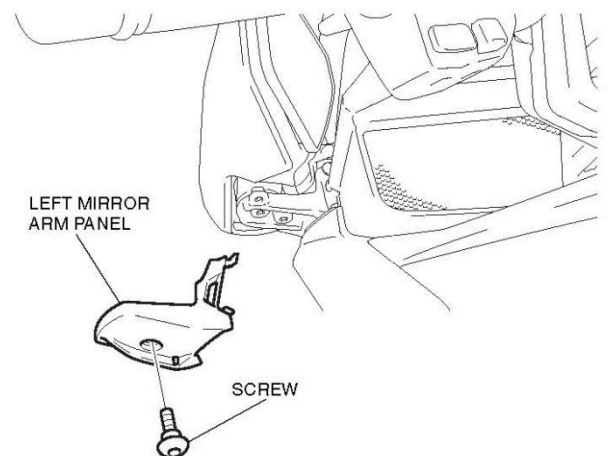
5. Fold in the LEFT rearview mirror as shown in diagram below.



2. Remove the LEFT side cover.
  - Disconnect the negative (-) cable of the battery.

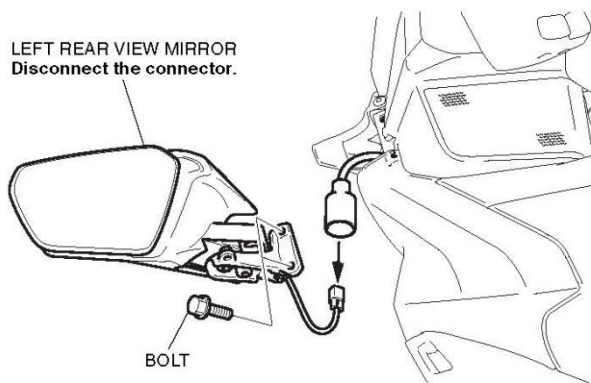


6. Remove the LEFT mirror arm panel as shown below.
  - [LEFT side]



3. Remove the RIGHT side cover in the same way as the LEFT side.

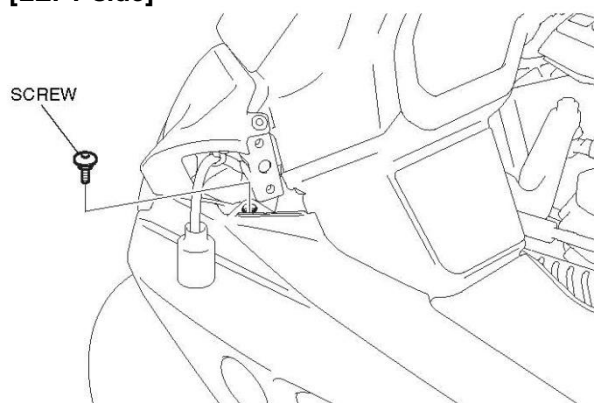
7. Remove the LEFT rearview mirror by removing the bolt and disconnect the connector.



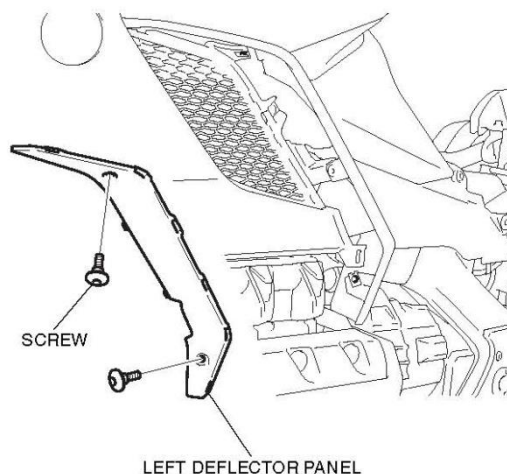
8. Remove the RIGHT mirror arm panel and RIGHT rearview mirror in the same way as the LEFT side.

9. Remove the screw as shown below.
- Then repeat on the RIGHT side.

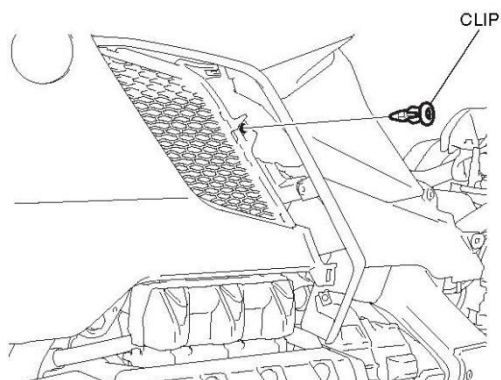
[LEFT side]



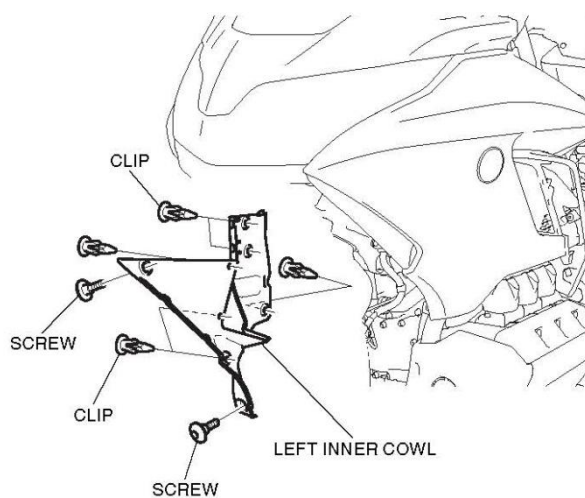
10. Carefully remove the LEFT deflector panel.  
[LEFT side]



11. Carefully remove the clip as shown below.

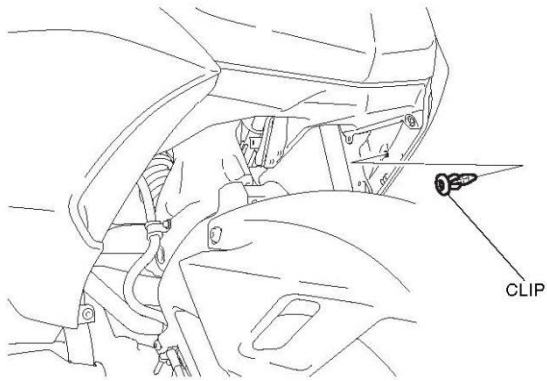


12. Remove the LEFT inner cowl as shown below.



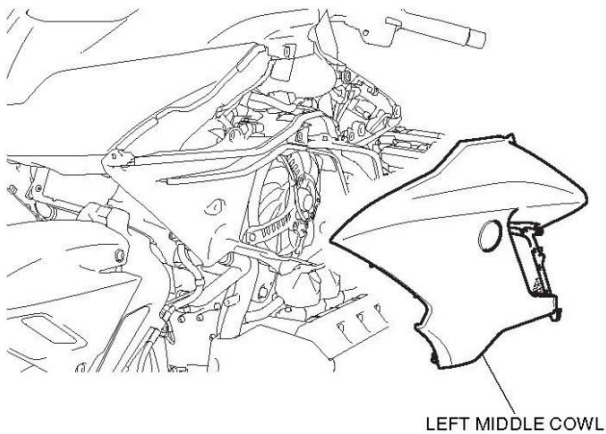
13. Carefully remove the clip as shown below.

[LEFT side]



14. Remove the LEFT middle cowl.

[LEFT side]

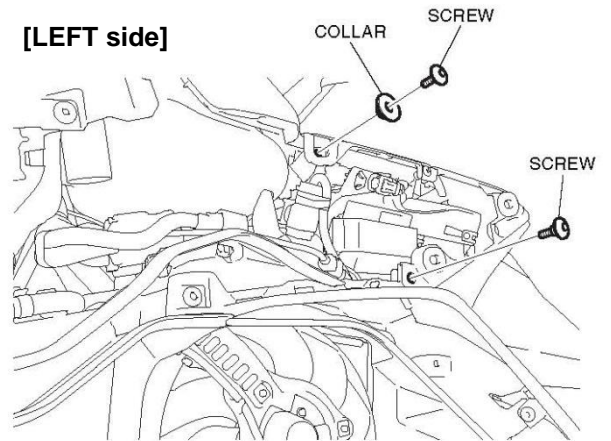


15. Remove the RIGHT deflector panel, RIGHT inner cowl, and RIGHT middle cowl in the same way as the LEFT side (as was done in Steps 10-14).

16. Remove the parts as shown in the diagram below.

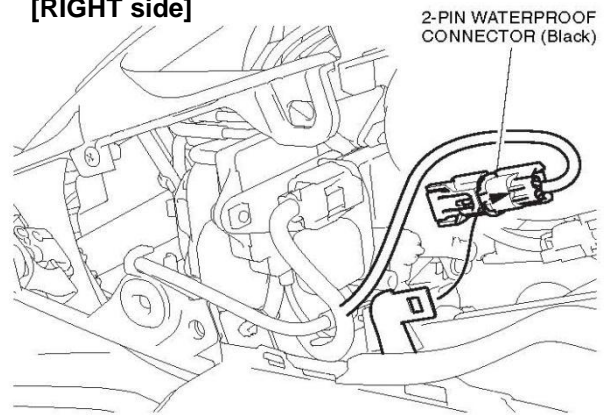
▪ Then repeat on the RIGHT side.

[LEFT side]

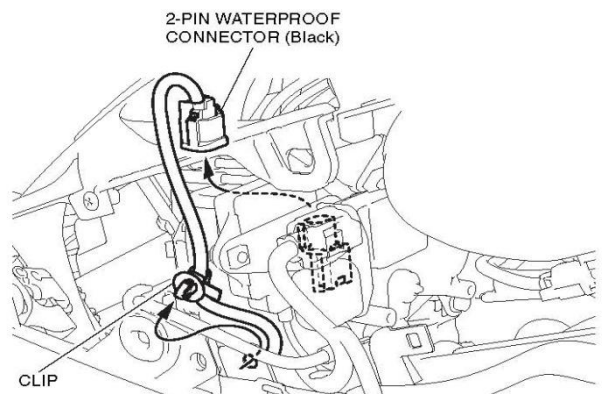


17. Remove the 2-Pin (2P) black connector as shown in diagram.

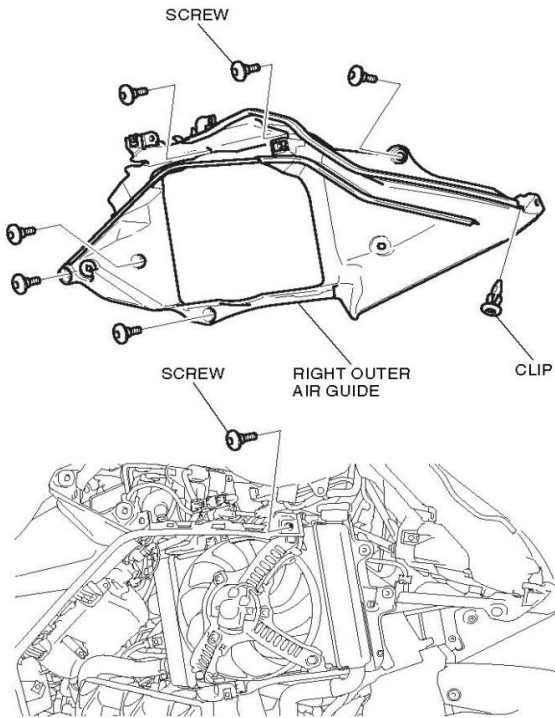
[RIGHT side]



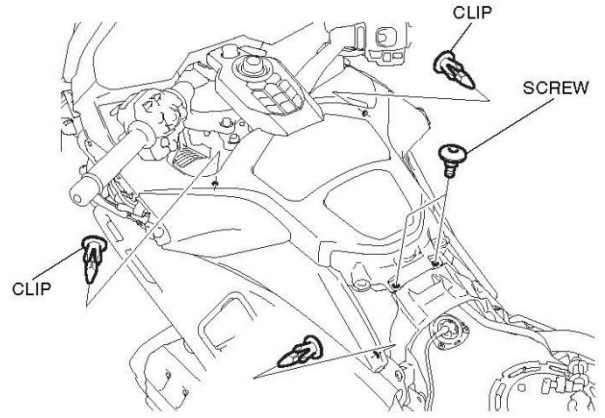
18. Carefully remove the clip and disconnect the black connector.



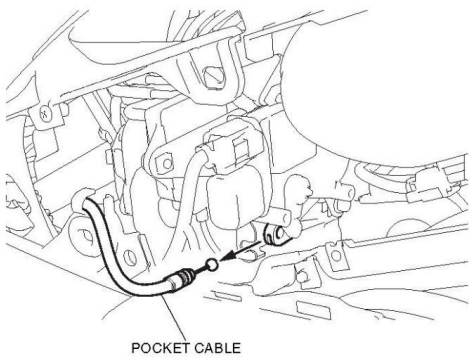
19. Remove the RIGHT outer air guide as shown below.



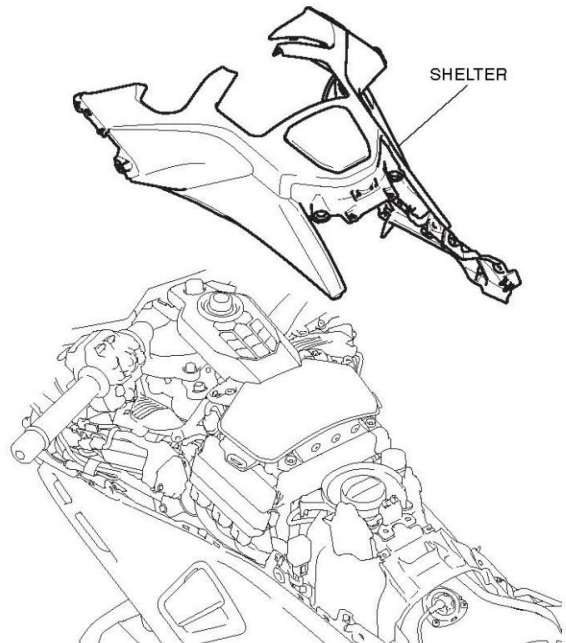
21. Carefully remove the screw and clips as shown.



20. Remove the pocket cable as shown below.

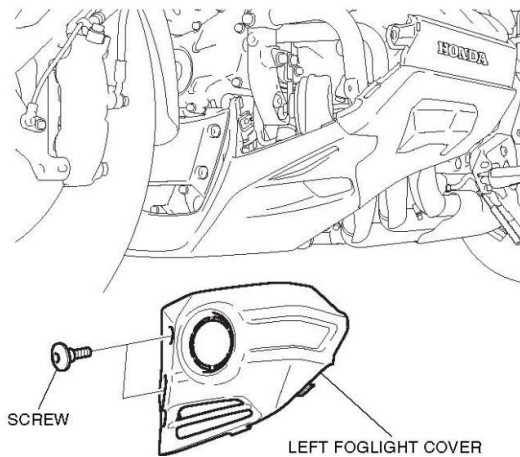


22. Carefully remove the shelter.

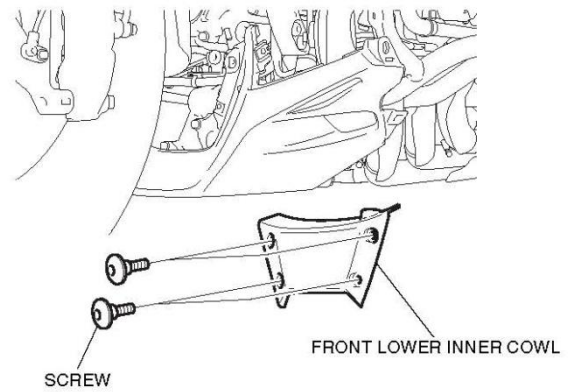


23. Remove the LEFT Fog Light cover.

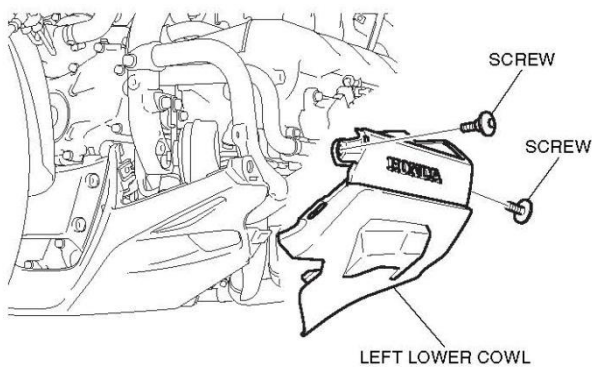
[LEFT side]



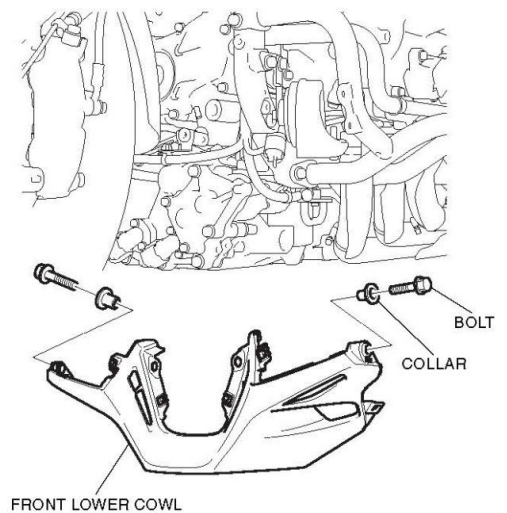
26. Remove the front lower inner cowl as shown below.



24. Remove the LEFT lower cowl as shown below.



27. Carefully remove the front lower cowl as shown in diagram below.

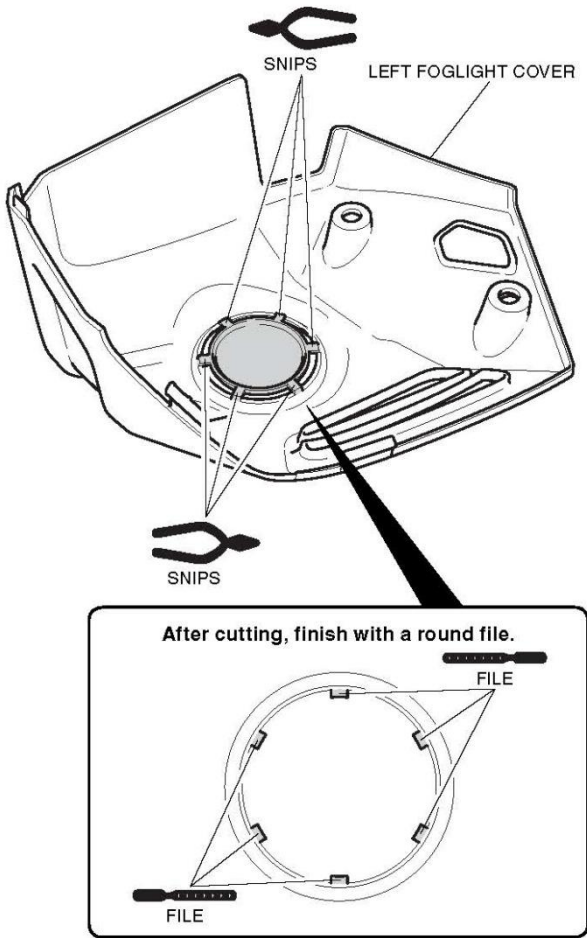


25. Remove the RIGHT Fog Light cover and RIGHT lower cowl in the same way as the LEFT side.

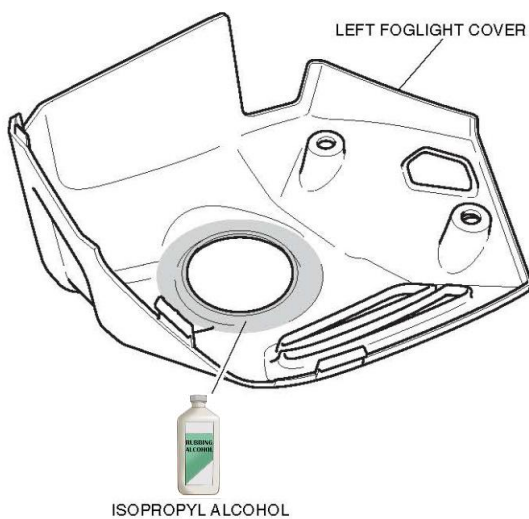


28. Cut off the GRAY TAB parts of the LEFT Fog Light cover as shown below.

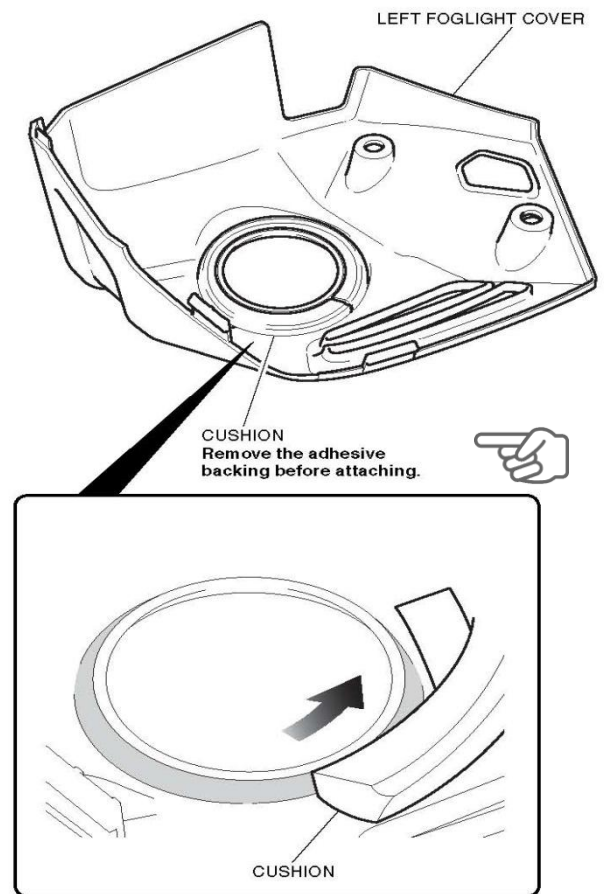
- After cutting off tabs, remove any burrs.
- Repeat these steps on the RIGHT side.



29. Thoroughly clean the surface of the area shown below with isopropyl alcohol.

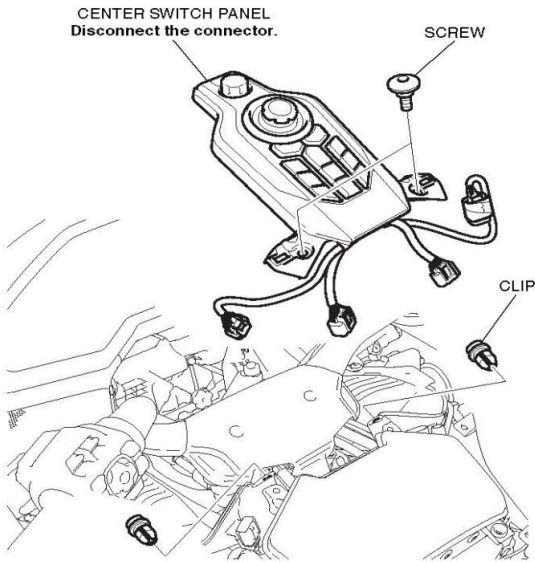


30. Attach the cushion as shown below.

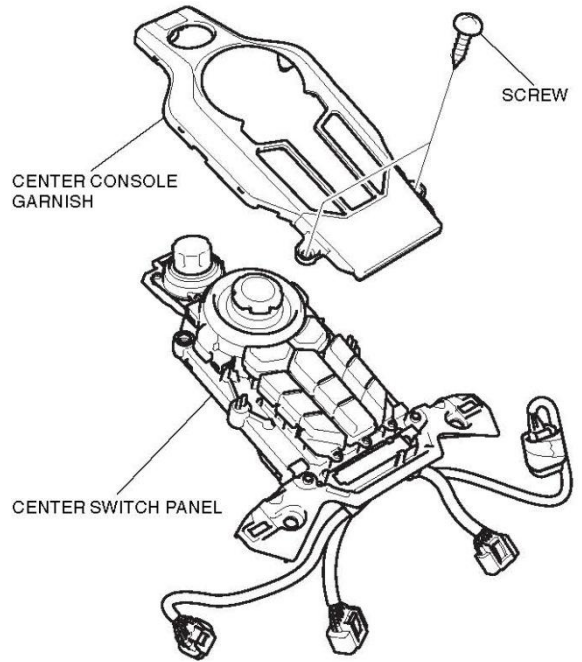


31. Attach the cushion to the RIGHT Fog Light Cover in the same way as the LEFT side.

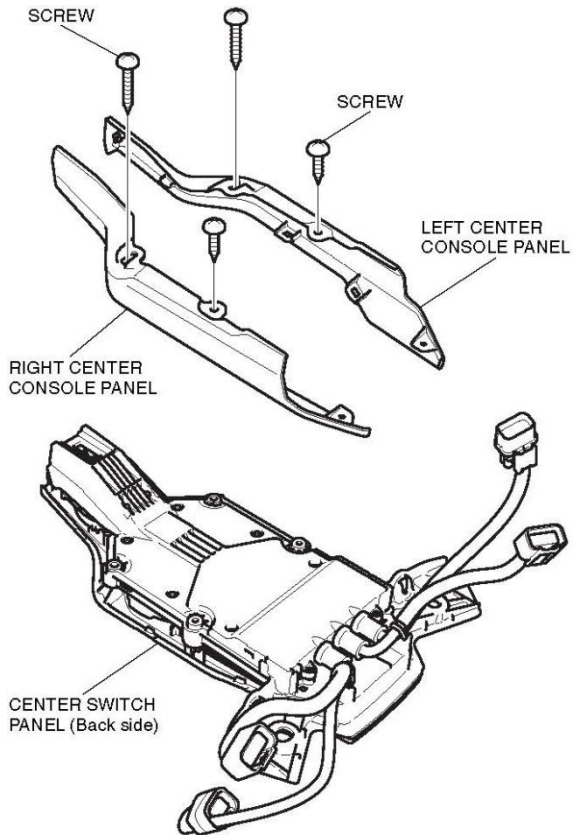
32. Remove the center switch panel as shown.



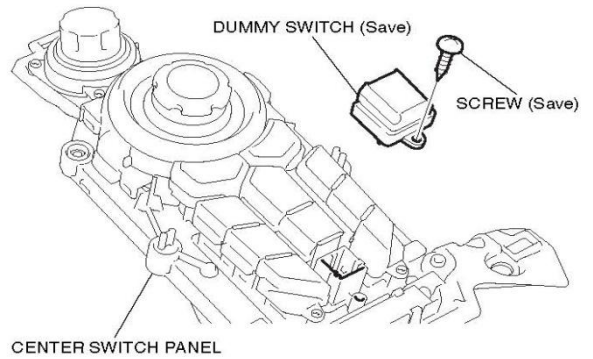
34. Carefully remove the center console garnish as shown in diagram below.



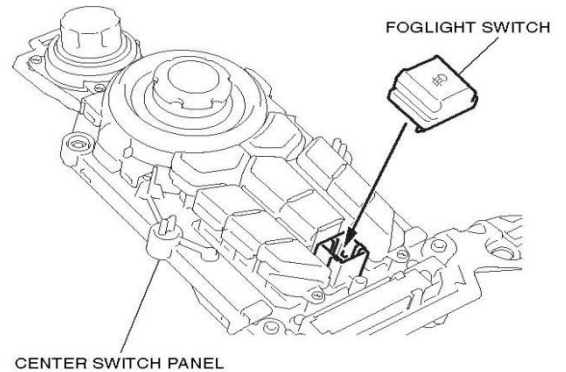
33. Carefully remove the RIGHT and LEFT center console panels as shown in diagram below.



35. Remove the dummy switch as shown below.



36. Install the Fog Light Switch as shown below.



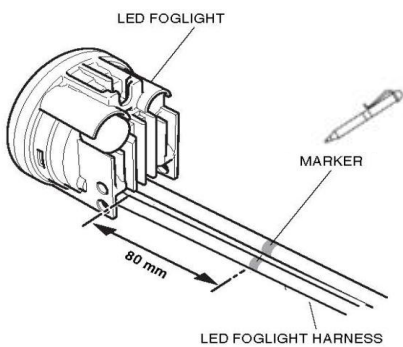
37. Reinstall the center console garnish, RIGHT and LEFT center console panels in the reverse order of removal.

38. Install the center switch panel in the reverse order of removal.

39. Mark the LED Fog Light harness at the position shown below (80mm).

[RIGHT side]

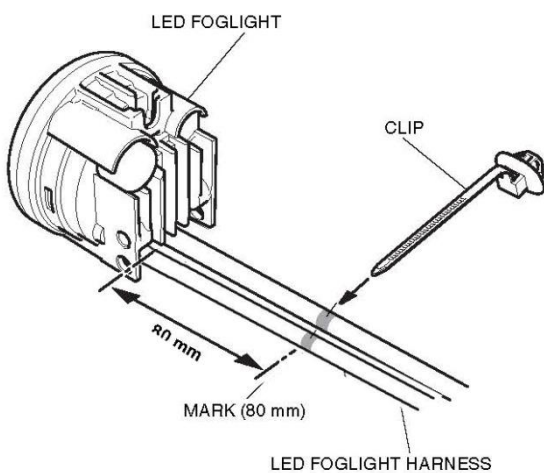
- Do this step for both the LEFT & RIGHT Fog Lights.
- LEFT Fog Light has 3 wires.



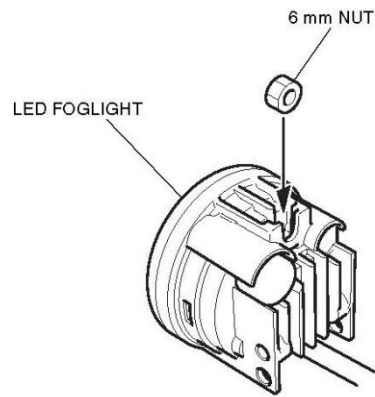
40. Install the Clip at the marked position as shown in the diagram below (80mm).

[RIGHT side]

- Perform this step for the LEFT & RIGHT Fog Lights.
- LEFT Fog Light has 3 wires.

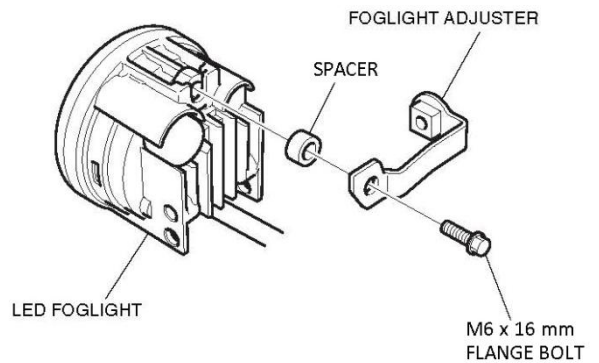


41. Install the 6mm Nut to the LED Fog Light.

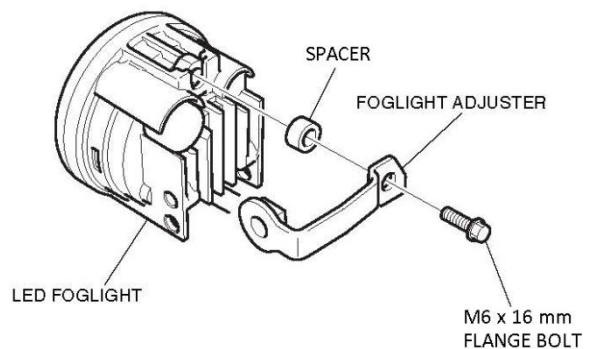


42. Install the Fog Light Adjuster loosely, do NOT tighten.

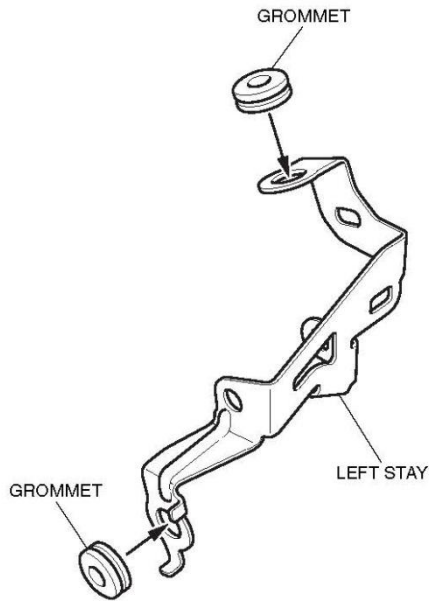
[LEFT side]



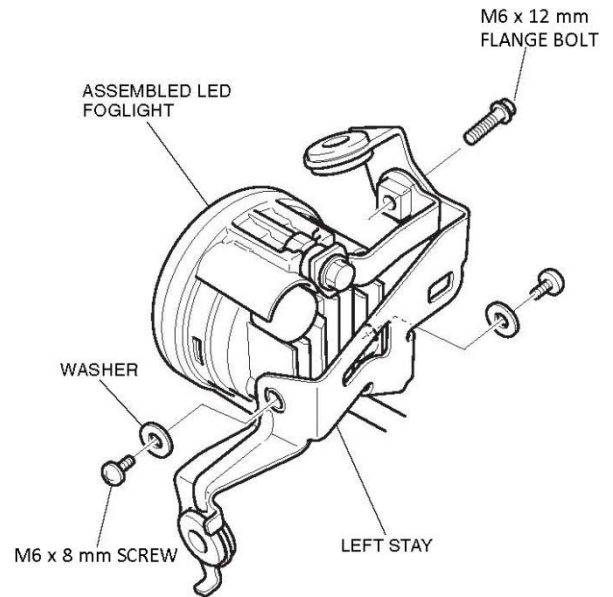
[RIGHT side]



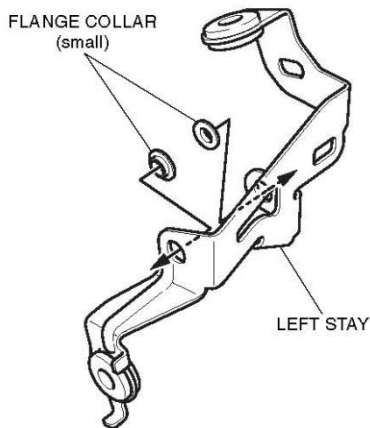
43. Insert the Grommets to the Left Stay.



45. Loosely install the assembled Left Stay to the assembled LED Fog Light.

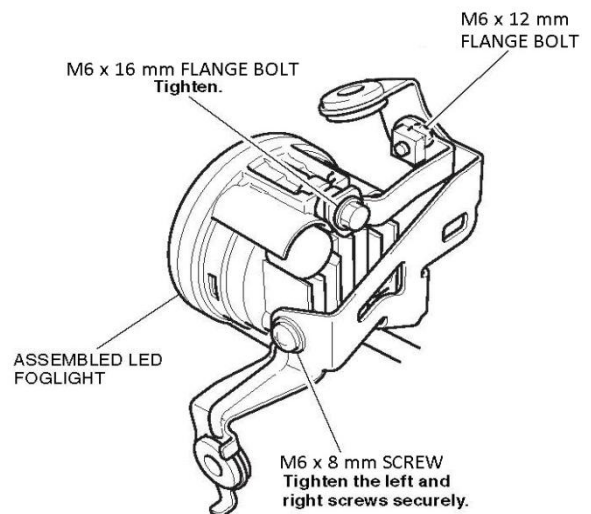


44. Carefully install the Small Flange Collars to the Left Stay.

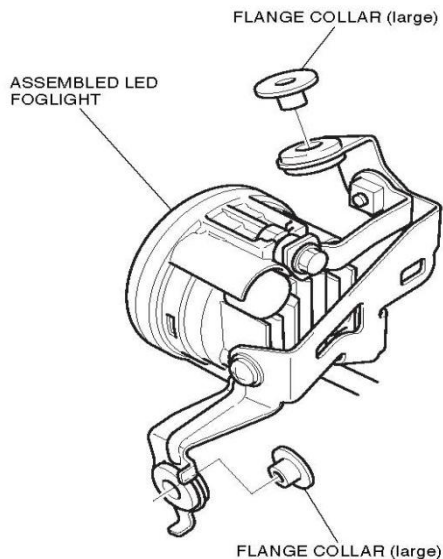


46. Secure the Fog Light Adjuster and Left Stay as shown below.

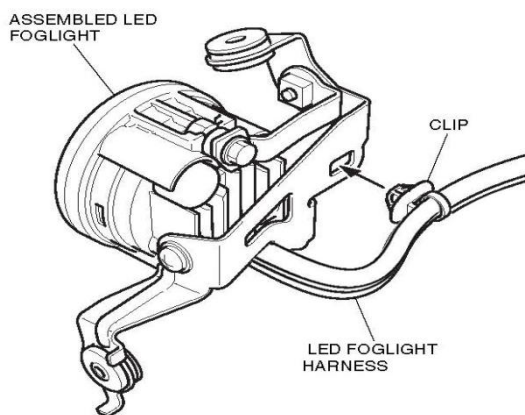
- To adjust the Fog Light aiming, loosen the M6 x 12mm Flange Bolt and M6 x 8mm Screws.



47. Install the Large Flange Collars as shown.



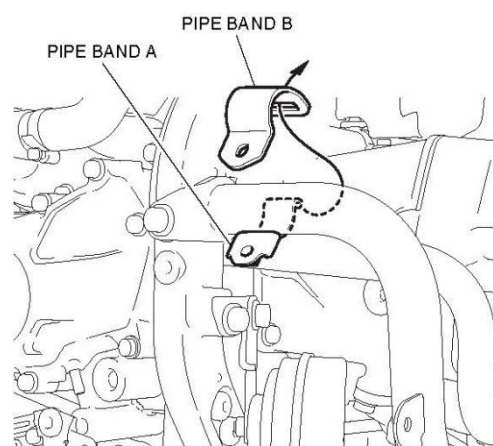
48. Secure the clip as shown below.



49. Assemble the RIGHT LED Fog Light in the same way as the LEFT side.

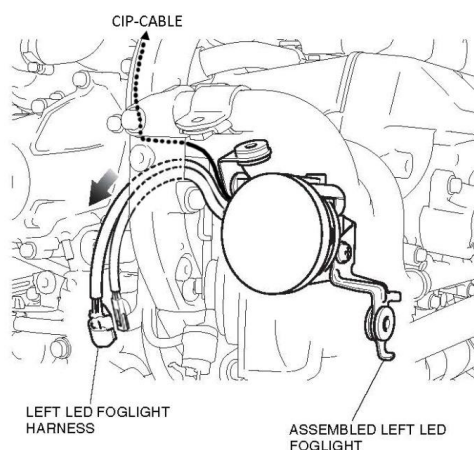
50. Temporarily install the "Pipe Band [A]" and "Pipe Band [B]" as shown.

[LEFT side]

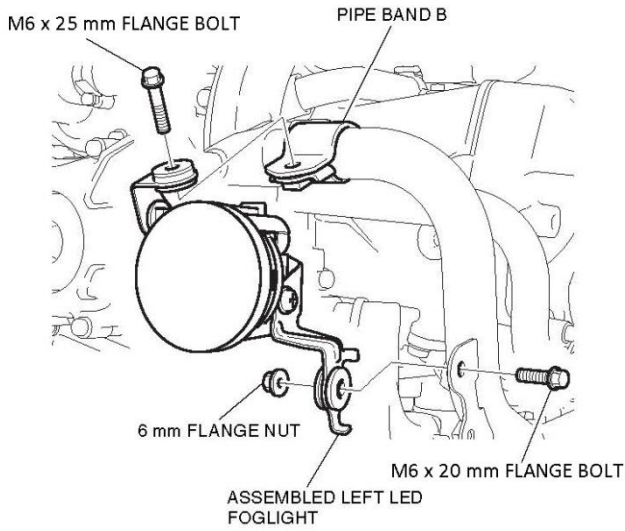


51. Route the LEFT LED Fog Light harness.

- Refer to APPENDIX A for the CIP-CABLE (black) routing guide.

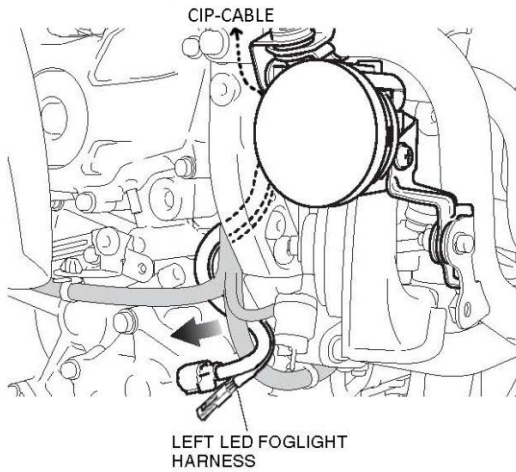


52. Install the assembled LEFT LED Fog Light.

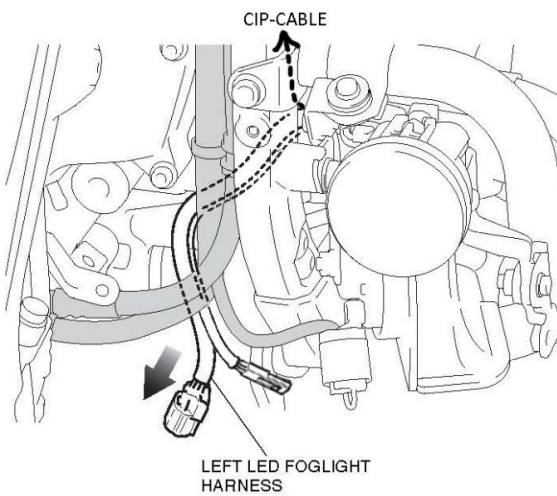


53. Route the LEFT LED Fog Light harness as shown diagram below.

**[GL1800BD/D/DA]**

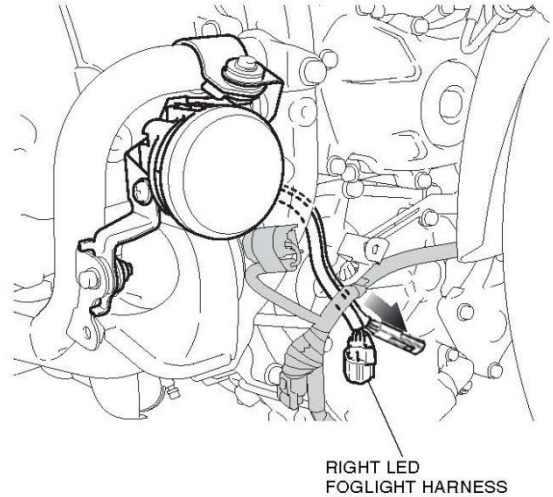


**[GL1800/B]**

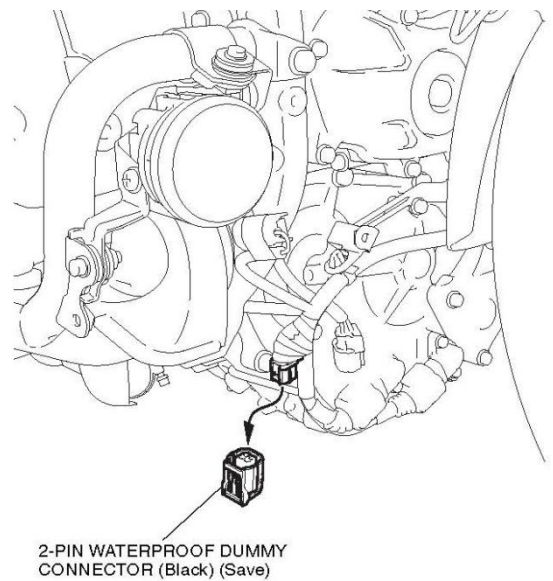


54. Install the "Pipe Band [A]", "Pipe Band [B]" and "Assembled RIGHT LED Fog Light" in the same way as the LEFT side.

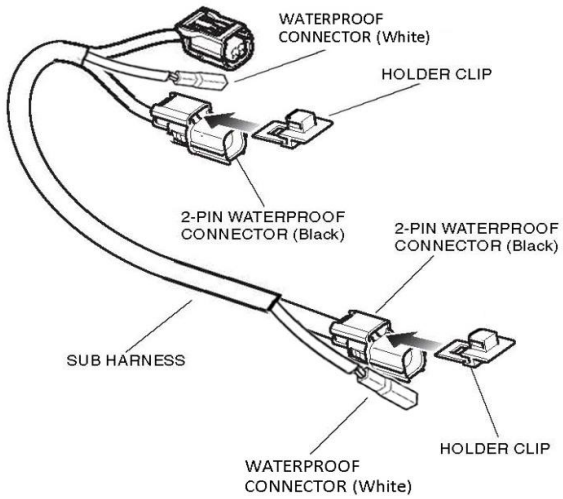
55. Route the RIGHT LED Fog Light harness.



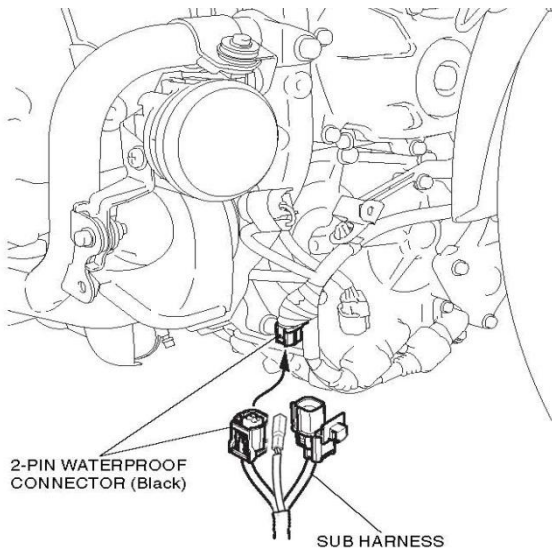
56. Remove the dummy connector.



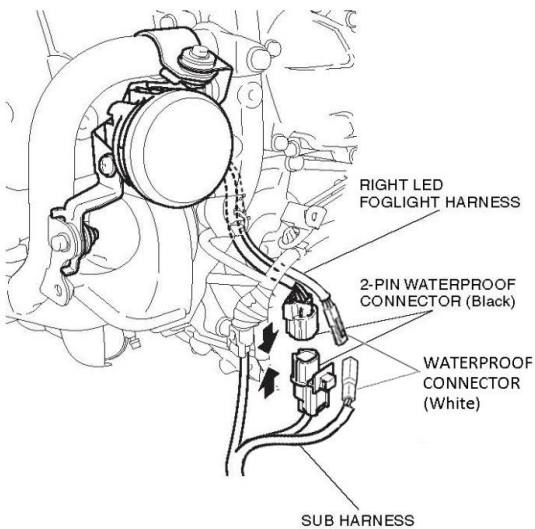
**57. Securely install the Holder Clips to the Sub Harness as shown below.**



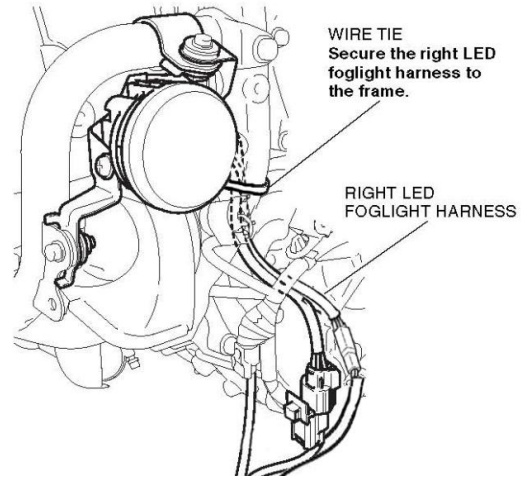
**58. Connect the Sub Harness as shown below.**



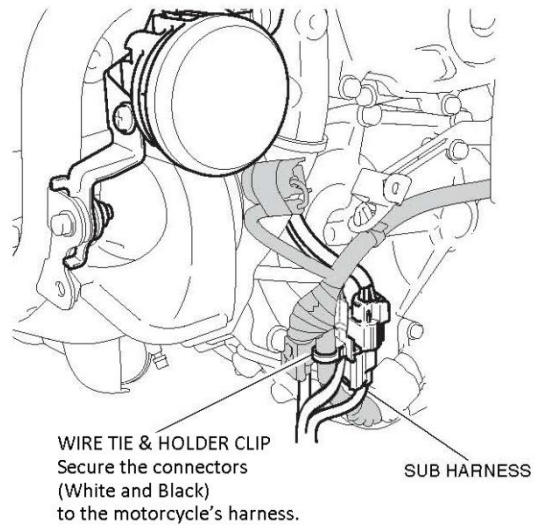
**59. Connect the RIGHT LED Fog Light harness.**



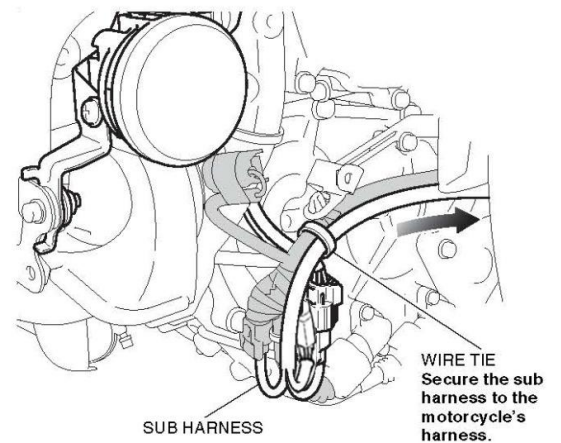
**60. Secure the RIGHT LED Fog Light harness with the Wire Tie.**



**61. Use the Wire Tie to secure the connectors (White and Black) with the holder clip as shown below.**

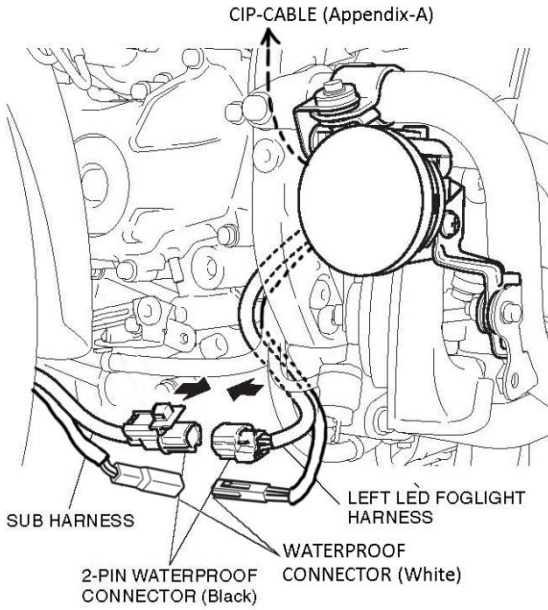


**62. Route and secure the Sub Harness with the Wire Tie as shown below.**



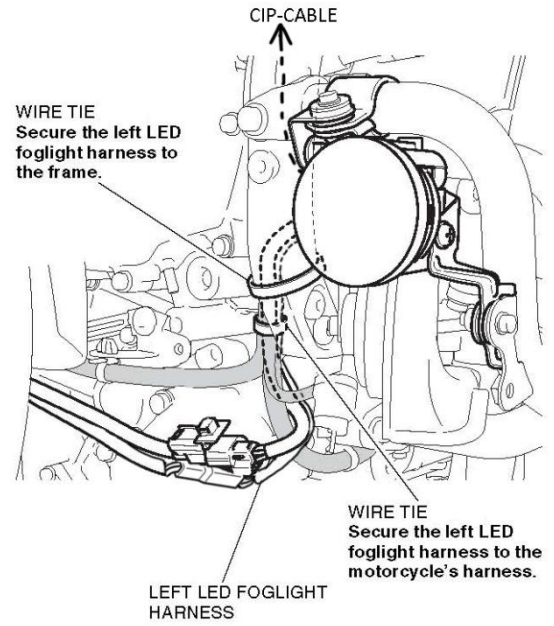
63. Connect the LEFT LED Fog Light harness.

[LEFT side] GL1800BD/D/DA

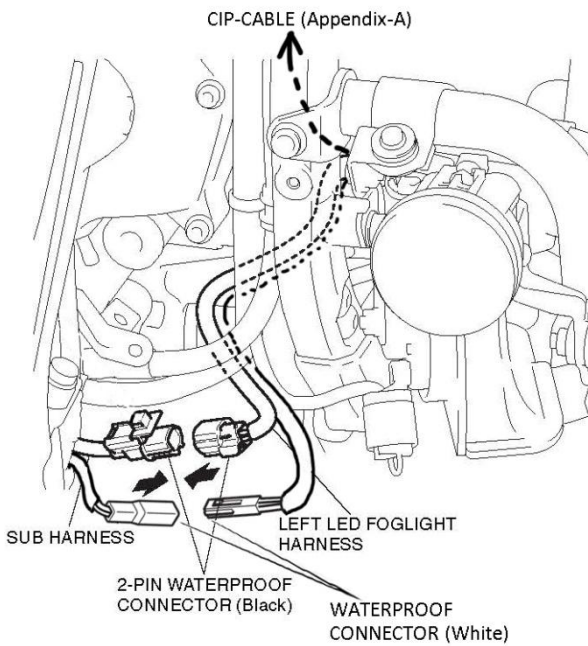


64. Secure the LEFT LED Fog Light harness with the Wire Ties.

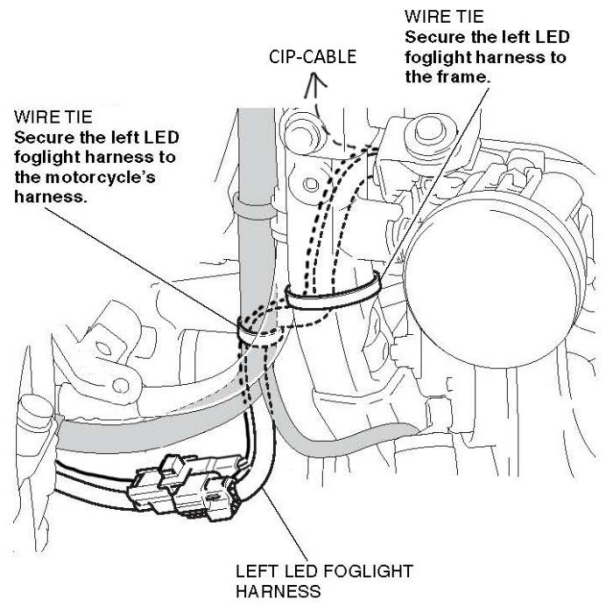
[GL1800BD/D/DA]



[LEFT side] GL1800/B



[GL1800/B]

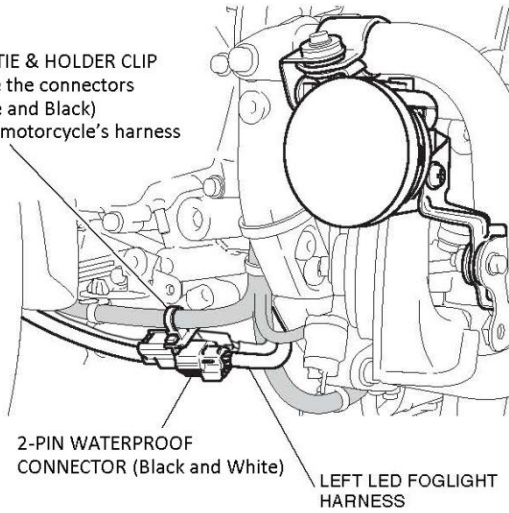




65. Use the Wire Tie to secure the connectors (White and Black) with the holder clip.

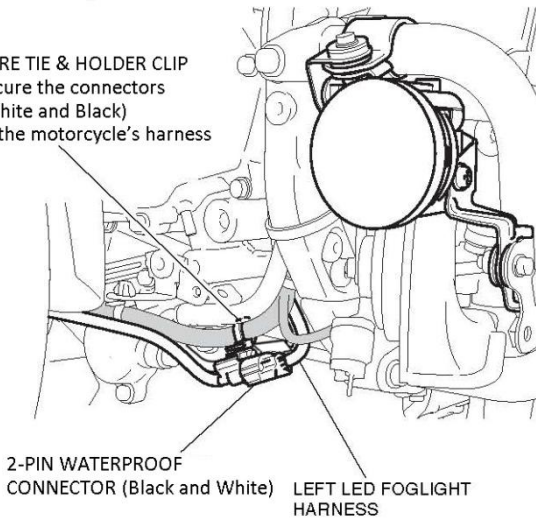
[GL1800BD/D/DA]

WIRE TIE & HOLDER CLIP  
Secure the connectors (White and Black) to the motorcycle's harness



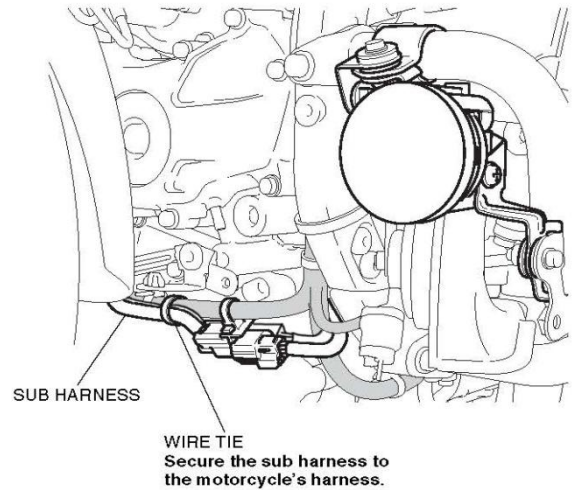
[GL1800/B]

WIRE TIE & HOLDER CLIP  
Secure the connectors (White and Black) to the motorcycle's harness

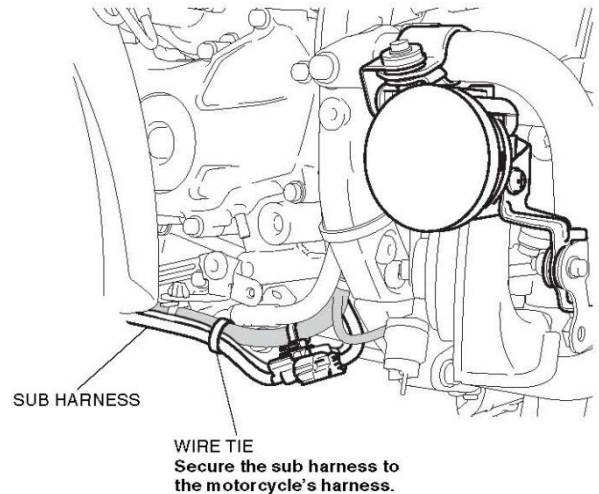


66. Secure the Sub Harness with the Wire Tie.

[GL1800BD/D/DA]



[GL1800/B]



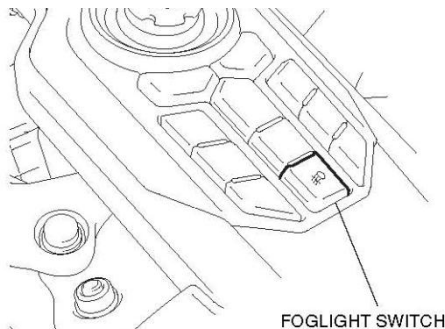
67. Install the motorcycle's parts in the reverse order of removal.

- Before installing the RIGHT and LEFT Fog Light covers, perform the "AIMING THE FOG LIGHTS" and test the "MULTI-FUNCTION LIGHTING MODES" by switching the mode options (as shown on next page).
- Check to make sure that wire harness is not caught or too tight.

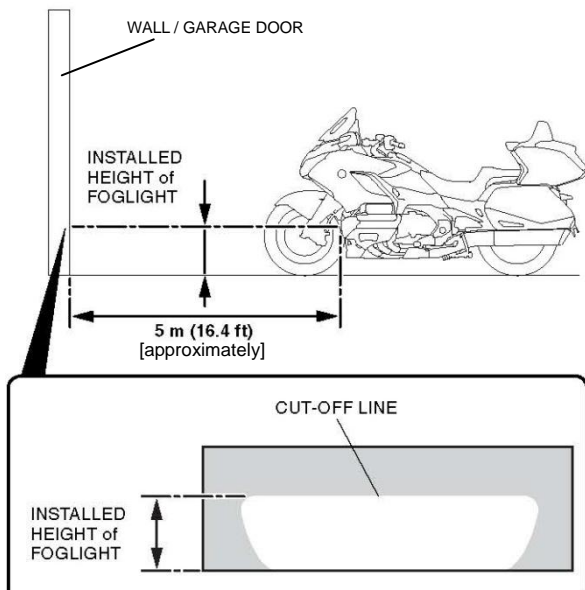
68. Check the Fog Light, headlight and other lights for proper operation.

**AIMING THE FOG LIGHTS (in a well-ventilated area)**

1. Place the motorcycle on a level surface, approximately 5 m (16.4 ft) from a wall/garage door. Turn on the Fog Lights.
  - When the ignition switch is ON and the Fog Light Switch is pressed, the Fog Lights come on.
  - When the Fog Light switch is pressed again, the Fog Lights are turned off.



2. Measure the installed height of the Fog Light from the ground.
3. Aim the Fog Lights so that the cut-off line of the light pattern on the wall is the same distance above the ground as the Fog Light installed height.



**MULTI-FUNCTION LIGHTING FEATURE MODES**

*All steps below are assuming the Fog Light indicator on your digital dashboard display is OFF (not lit):*

1. **Mode A: Fog Lights + DRLs (Daytime Running Lights)**
  - Press Fog Light switch once. Fog Lights and DRLs come on.
  - Press Fog Light switch again. Both Fog Lights and DRLs are turned off.
2. **Mode B: DRLs (Daytime Running Lights)**
  - Press Fog Light switch 3 times (in 3 seconds) DRLs come on. [ON-OFF-ON]
  - Press Fog Light switch again. DRLs are turned off.

**HOW TO TELL IF FOG LIGHTS ARE ON:**

*Fog Light indicator on the digital dash display is lit green.*

**TIP:** *Gold Wing US model only, you can also use the flash-to-pass to toggle between the A and B modes.*

**ENHANCED LED STROBE MODE**

*All steps below are assuming the Fog Light indicator on your digital dashboard display is OFF (not lit):*

*\*\*This is a hidden mode that is used for Show/Parade purposes. This mode can only be enabled under the following conditions:*

- ▶ WHEN YOU FIRST TURN THE IGNITION SWITCH ON. PRESS THE FOG LIGHT SWITCH 5 TIMES. (The LED fog lights should now be in STROBE mode.) So that the strobe feature is not accidentally activated, after pressing the fog light switch 1-4 times OR the flash-to-pass button, you can only toggle between modes A and B.
  - ▶ In order to activate Strobe Mode again, you must shut off the ignition and start the ignition and press the Fog Light Switch 5 times. Due to federal & state regulations, this was designed to prevent accidentally accessing the strobe mode while riding.
- TIP:** If you use your flash-to-pass OR press the fog light switch while in STROBE MODE, you will de-activate the strobe feature. You will now only have access to switch between MODE A and MODE B until you shut off your motorcycle and turn it back on again.

**APPENDIX A: CIP-CABLE routing guide for 2018+  
GL1800B/BD/D/DA**

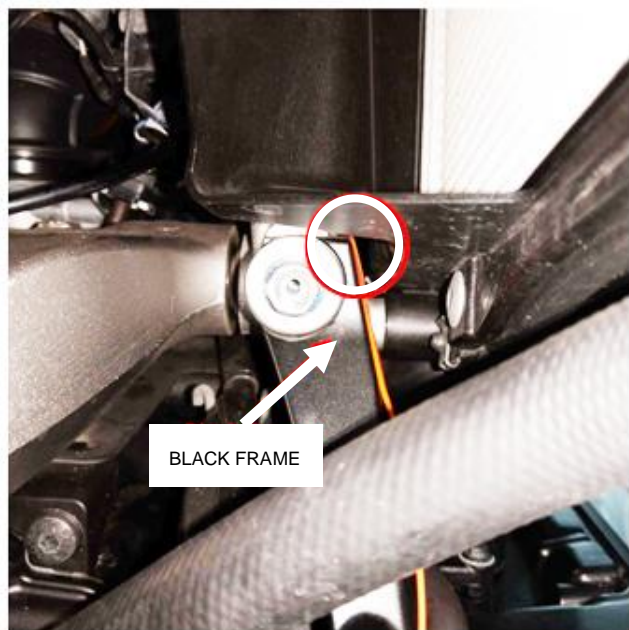
1. Feed the fishwire through the gap as shown below.

[Picture #1] (The actual CIP-CABLE is black)



2. Run the fishwire up along the black frame. Feed the CIP-CABLE through the gap. See Picture #3 below for the direction of the fish wire.

[Picture #2]



3. The head of the fishwire will come out here.

[Picture #3]



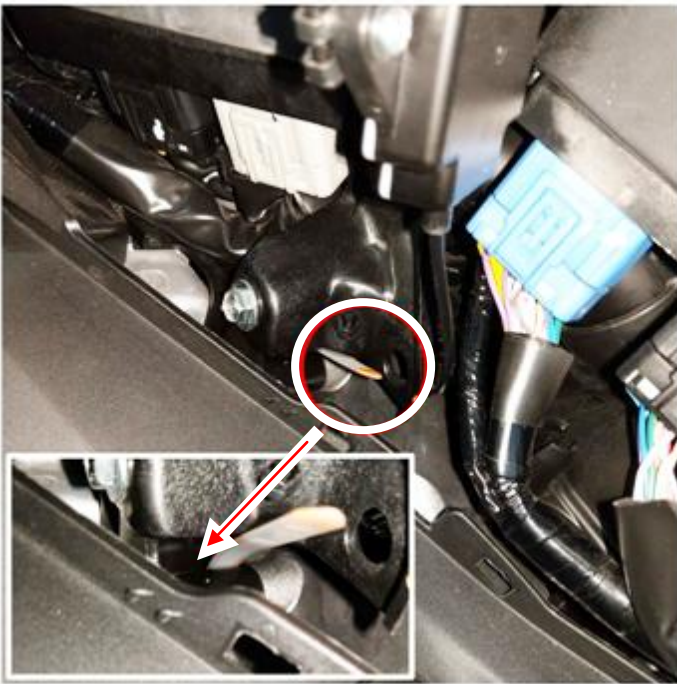
4. The location of the head of the fishwire.

[Picture #4]



5. Run the fishwire through the gap and pull out the fishwire from the gap as shown below.

[Picture #5]



6. Run CIP-CABLE to ACC positive (+) underneath the factory wires as shown in images below.

[Picture #6]



7. Run CIP-CABLE to ACC positive (+)

[Picture #7]



Once you have confirmed that lights are working properly:

- ▶ Be sure to tighten the screws, bolts and nuts securely. Refer to the motorcycle's Service Manual for the torque values of the parts removed.
- ▶ Trim off excess wire tie ends and make sure they do not puncture or interfere with other wires, harness or hose.
- ▶ Wait at least 72 hours to allow adhesive to reach its full strength. Wait at least 24 hours before riding your motorcycle.

----- INSTALLATION COMPLETE -----